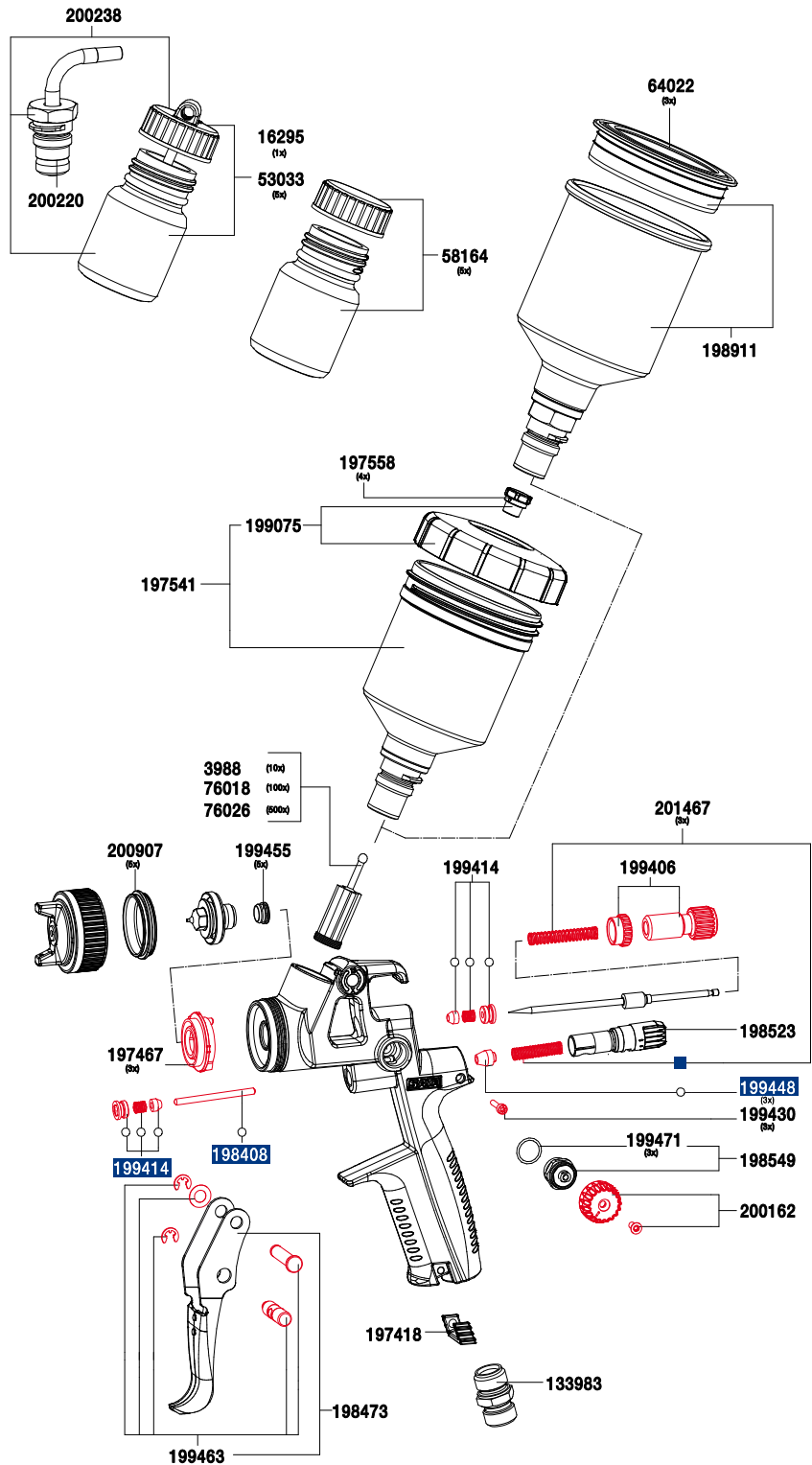




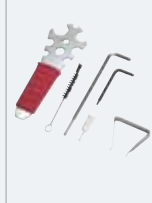
# Spare parts SATAmijnjet® 4400 B

Art. No./Descr.
3988
Strainer, 300 µm (10x)
16295
25 ml glass cup with plug-in cup
53033
25 ml glass cup with plug-in cup (5x)
58164
25 ml glass cup with blind lid (5x)
64022
PVC lid (3x)
76018
Strainer, 300 µm (10x 10 units)
76026
Strainer, 300 µm (50x 10 units)
133983
Air connection piece G1/4 male thread
197418
CCS Clips, green, blue, red, black (4x)
197467
Air distribution ring (3x)
197541
0.125 l QCC reusable plastic cup, cpl.
197558
Anti-drip device (4x)
198408
Air piston rod
198473
Trigger kit
198523
Air micrometer
198549
Spindle for round / flat spray control
198911
0.15 l QCC reusable aluminium cup, cpl.
199075
Screw cap with drip catcher ring and anti-drip device
199406
Material flow control with counter nut
199414
Packing for paint needle and air piston rod
199430
Adjustment screw (3x) for air micrometer
199448
Air piston head (3x)
199455
Sealing element (5x) for fluid tip
199463
Trigger sleeve kit
199471
Gasket (3x) for spindle
201467
Pressure spring (each 3x) for paint needle and air piston
200162
Control knob with screw each 2)
200220
Plug-in cup connection with QCC
200238
25 ml glass cup with plug-in lid (5x) and QCC plug-in connection (1x)
200907
Sealing ring (5x)



All prices are recommended list prices. Errors, technical modifications and printing errors reserved.

Art. No./Descr.
198572
<b>Tool kit</b>
<ul style="list-style-type: none"> <li>• Universal spanner</li> <li>• Cleaning brush</li> <li>• Allen wrench</li> <li>• Torx Allen wrench TX20/TX8</li> <li>• Paint strainer</li> <li>• Extraction tool</li> </ul>



Art. No./Descr.
198614
<b>Repair kit</b>
199422
<b>Air piston service unit</b>
○ 200246
<b>Sealing kit</b>